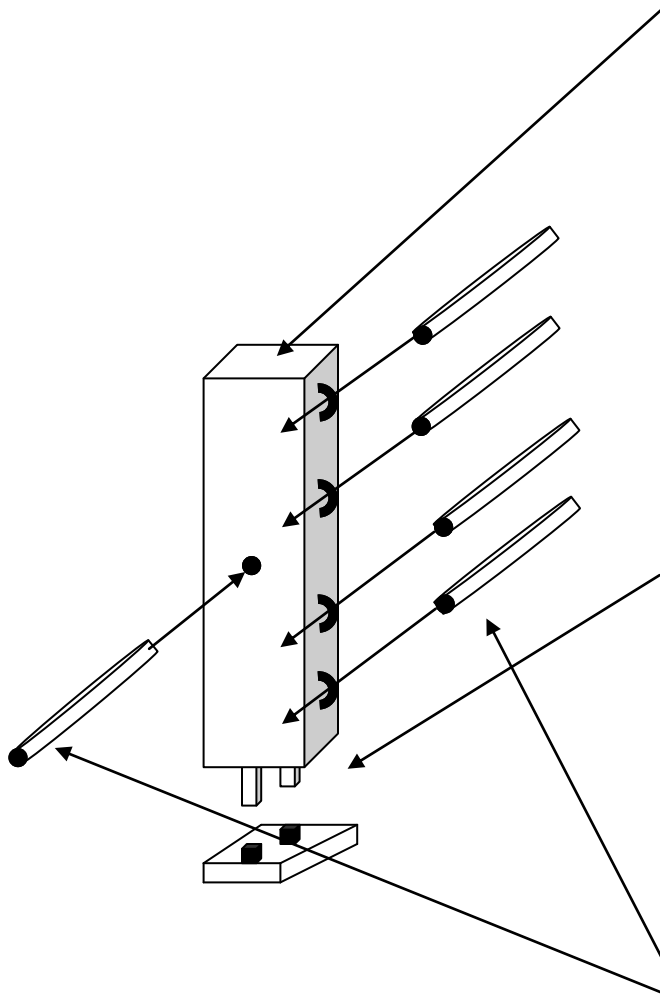


THE TABERNACLE BOARD



BOARD OF SHITTUM WOOD (HUMANITY) OVERLAID WITH GOLD (DEITY)

The first thing that is foreshadowed in this board is the church age believer with the eternal life of deity. The height of the board was 10 cubits high and this speaks of ordinal perfection. When the width of the board (**1.5 cubits**) is multiplied with the total number of **48 boards** (**6=man** x **8=resurrection**), it results in a total of **72 cubits**. Two multiples of **72** are **8 (resurrection)** and **9 (finality of judgment)**, and they tell us that the resurrected church would never have to be judged again; thus, making us an ordinal perfected government made up of resurrected judges.

TWO SILVER (REDEMPTION) SOCKET BASES PER BOARD

The two wooden pegs at the base of each board represented the humanity of the church age believers resting in the redemptive work of our Lord. The total number of bases for all the boards was **96**. Two multiples of **96** are **12 (perfect government)** and **8 (resurrection)** and speak of a perfect government coming from the resurrection of the church.

BARS OF SHUTTUM WOOD (HUMANITY) OVERLAID WITH GOLD (DEITY)

These bars were **5** in number and **5** is the number of grace. God in his grace provided five ministries to keep His church firmly stabilized, these would include apostle, prophet, pastor, evangelist and teacher. The only ministries still effective today are that of pastor, evangelist and teacher.